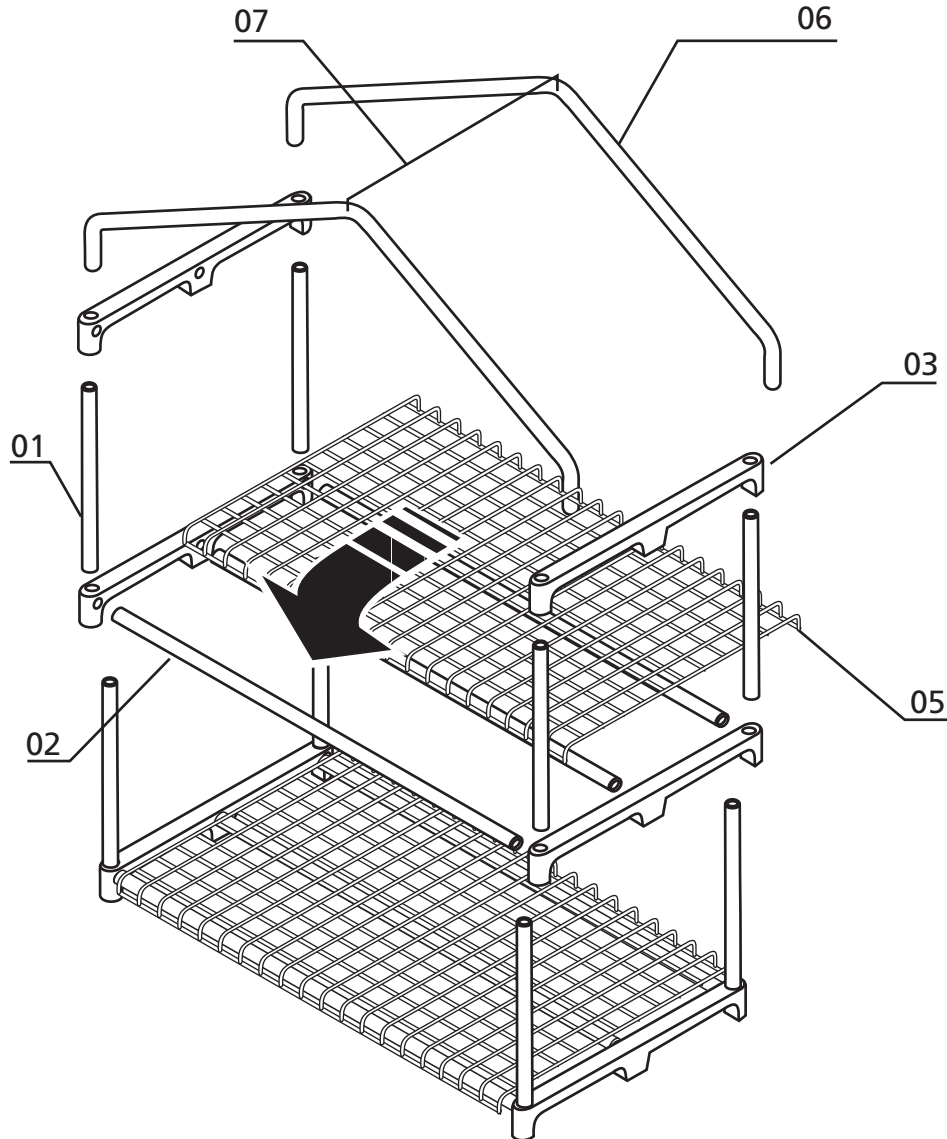

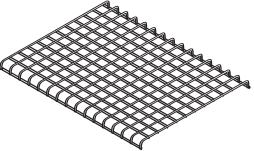


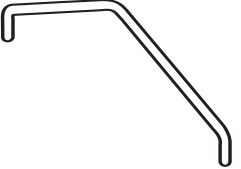
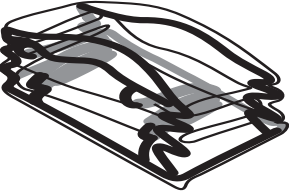



GreenThumb

Classroom Greenhouse



Item	Parts	Qty.	Item	Parts	Qty.
01		8 pcs.	05		2 pcs.
02		6 pcs.			
03		6 pcs.	06		2 pcs.
04		1 pc.			
			07		1 pc.

Assembly

1. Remove all items from the box. Sort the parts according to the part diagram above.
2. Take 3 long poles (item #02) and two plastic brackets (item #03). Fit both ends of the three poles into the three holes on the inside edge of the brackets. There are two holes in the middle; use the one on the top. See *Figure 1*. This will be Tier 1.
3. Repeat step 2 with the other two brackets and long poles. This will be Tier 2. Set Tier 2 aside.
4. Take 4 of the short poles (item #01) and fit them into the holes on the top of the brackets on Tier 1. See *Figure 2*.
5. Fit Tier 2 on top of Tier 1 by inserting the top of the short poles into the bottom holes of the brackets on Tier 2. See *Figure 3*.

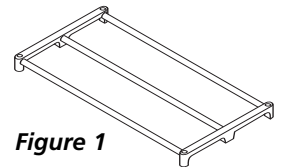


Figure 1

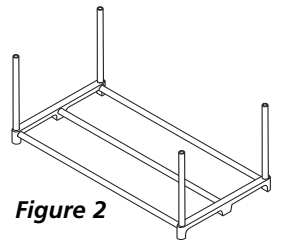


Figure 2

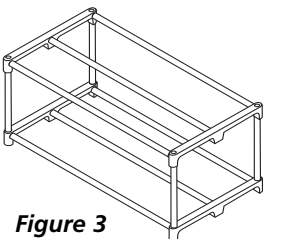


Figure 3

6. Insert 4 more short poles (item # 01) into the top of the plastic brackets (item #03) on Tier 2. Fit the remaining 2 brackets on top of these. See *Figure 4*.

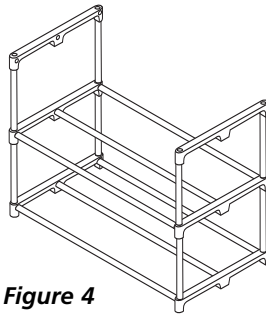


Figure 4

7. Fit the two angled poles (item #06) into the holes in the top brackets. Take the thin wire (item #07) and fit the ends into the holes in the middle of the angled poles. See *Figure 5*.

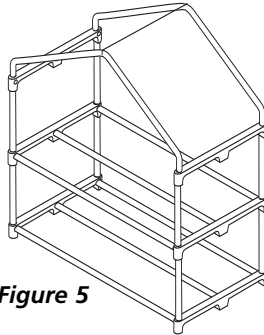


Figure 5

8. Lay the two shelves (item #05) onto the long poles on Tiers 1 and 2 so that the curved fronts and backs slide over the poles. See *Figure 6*.

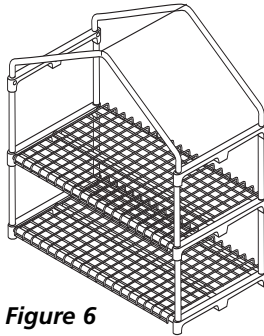


Figure 6

9. Slide the plastic greenhouse cover (item #04) over the structure and tie it to the four poles at the bottom to secure it in place. See *Figure 7*.

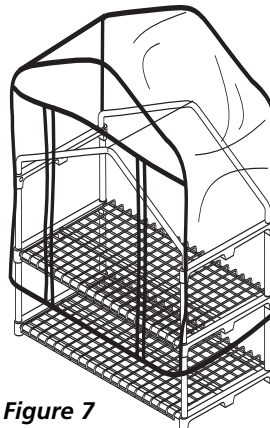


Figure 7

10. Your greenhouse is now ready to use!

Caution

Avoid puncturing the greenhouse plastic with sharp objects.
Never use your greenhouse near a fire.

Suggested Placement

It's best to place your greenhouse where it will get maximum sunlight – on the south or southeast side of a building. Sunlight all day is most desirable; but if you must choose, morning sunlight (east side location) is preferred so as to allow a plant's food production process to begin early. Placing the greenhouse on the north side of a building or shady area is best for plants that require little light.



TELL EDUCATIONAL INSIGHTS: We welcome your comments or questions about our products or service.
CALL: (800) 995-4436 toll-free Monday-Friday
WRITE TO: Educational Insights Customer Service, 2206 Oakland Parkway, Columbia, TN 38401-9901 (USA)
EMAIL: service@edin.com **OR VISIT OUR WEBSITE:** www.educationalinsights.com

© 2006 Educational Insights, Inc., Rancho Dominguez, CA 90220 (USA). All rights reserved. Made in China.
Conforms to ASTM F 963. Please retain this information.